

Danfoss User Manual Fp715Si



File Name: Danfoss User Manual Fp715Si.pdf

Size: 2980 KB

Type: PDF, ePub, eBook

Category: Book

Uploaded: 7 May 2019, 15:35 PM

Rating: 4.6/5 from 720 votes.

Status: AVAILABLE

Last checked: 2 Minutes ago!

In order to read or download Danfoss User Manual Fp715Si ebook, you need to create a FREE account.

[**Download Now!**](#)

eBook includes PDF, ePub and Kindle version

[Register a free 1 month Trial Account.](#)

[Download as many books as you like \(Personal use\)](#)

[Cancel the membership at any time if not satisfied.](#)

[Join Over 80000 Happy Readers](#)

Book Descriptions:

We have made it easy for you to find a PDF Ebooks without any digging. And by having access to our ebooks online or by storing it on your computer, you have convenient answers with Danfoss User Manual Fp715Si . To get started finding Danfoss User Manual Fp715Si , you are right to find our website which has a comprehensive collection of manuals listed.

Our library is the biggest of these that have literally hundreds of thousands of different products represented.



Book Descriptions:

Danfoss User Manual Fp715Si

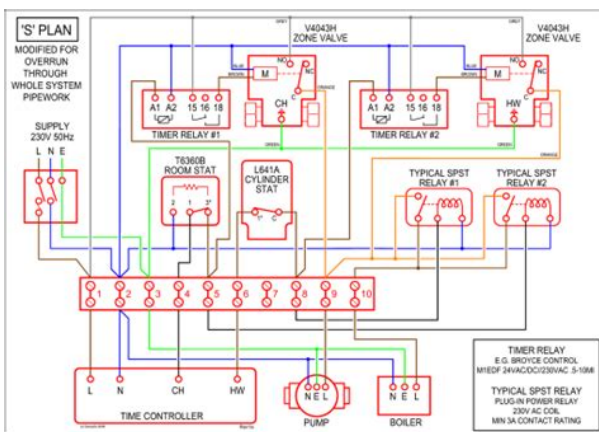


Approved third parties also use these tools in connection with our display of ads. Sorry, there was a problem saving your cookie preferences. Try again. Accept Cookies Customise Cookies Please try your search again later. You can edit your question or post anyway. Why worry, not heard of one going wrong and family and friends have them Try turning them up to maximum. Assuming all is well with your boiler it may have RESET button have a look first, it may be that your programmer switching output is entirely OFF. Is the red light near the heating button on. Try turning them up to maximum. Assuming all is well with your boiler it may have RESET button have a look first, it may be that your programmer switching output is entirely OFF. Is the red light near the heating button on. If so, press the MAN button, and it should fire up. Under the front hinged panel on the right there is a recessed programmer reset button which you can operate with a matchstick or pencil point; this will revert the timer to the factory settings, so you will need to set any preferred timings again later. Try turning them up to maximum. Assuming all is well with your boiler it may have RESET button have a look first, it may be that your programmer switching output is entirely OFF. Is the red light near the heating button on. If so, press the MAN button, and it should fire up. Under the front hinged panel on the right there is a recessed programmer reset button which you can operate with a matchstick or pencil point; this will revert the timer to the factory settings, so you will need to set any preferred timings again later. There is also an advance programme via the MAN button where the system will be advanced either ON or OFF until the the next programme. There is also an advance programme via the MAN button where the system will be advanced either ON or OFF until the the next programme. By continuing, you agree to the use of cookies. <http://anatolianlgs.com/userfiles/casio-ap-21-manual.xml>

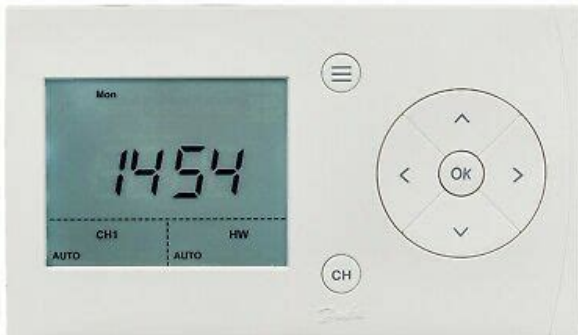
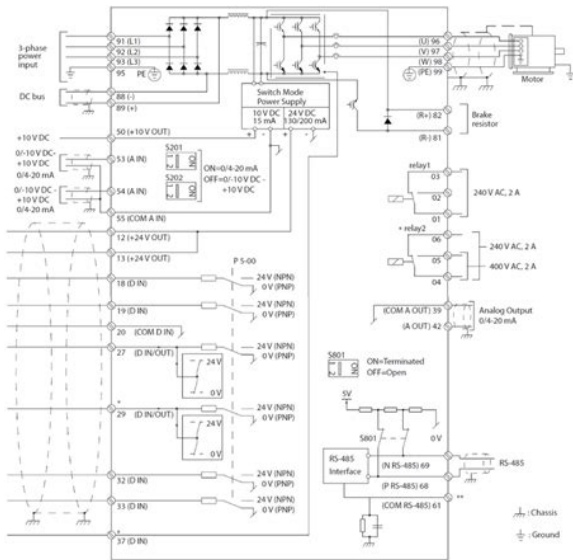
- danfoss user manual fp715si, 1.0, danfoss user manual fp715si.



You can find out how to manage cookie preferences on our Policies page. It fully meets the requirements of Part L Building Regulations. Fulfilled by PlumbNation Wholesale 14 Day Returns Next Day Delivery Free Delivery Available Returns Collection Service Available Learn More Danfoss Randall FP715Si HPP Heat Plan Control Pack 087N850040 The Danfoss Randall FP715Si Heat Plan Control Pack at PlumbNation is competitively priced for the contracts market. Danfoss Randall FP715Si Heatplan Controls Packs offer the contractor integrated components for a trouble free installation. All standard packs include a room thermostat a cylinder thermostat a WB12 wiring box and a programmer or timeswitch from the extensive Danfoss Randall range. <http://gossl.com/userfiles/casio-ap-33-manual.xml>



<http://www.statcardsports.com/node/9896>



<https://kindervakantieweekdeurne.nl/wp-content/plugins/formcraft/file-upload/server/content/files/1628b4c3c97346---Canon-powershot-s5-is-manual-pdf.pdf>

<http://fscl.ru/content/cook-minc-incubator-manual>